

The

BABY ASTOR

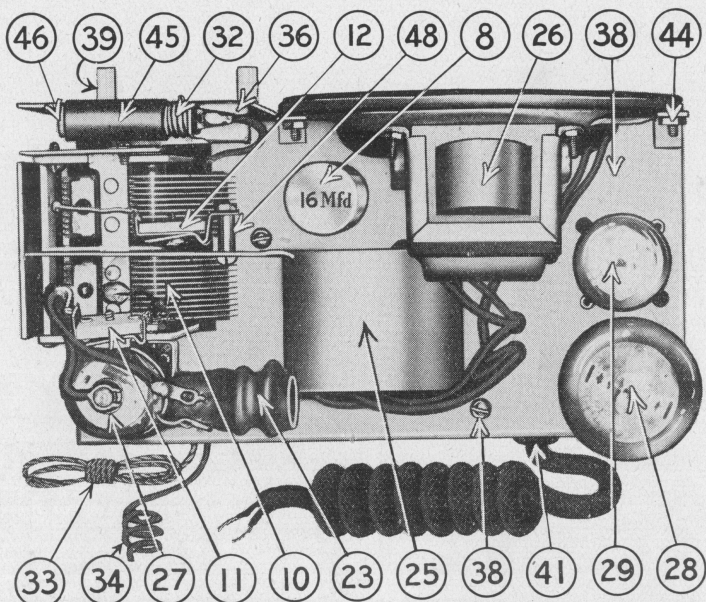
3-VALVE TRF MIDGET MANTEL A/C RECEIVER.

For operation from 200V.-260V. A/C Electric Supply Mains

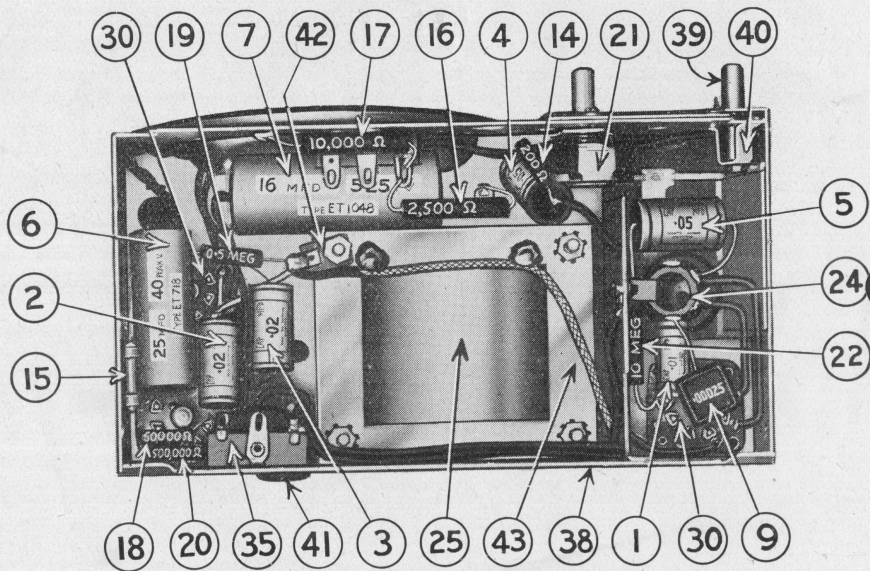
PARTS LIST and CIRCUIT DIAGRAMS

An ASTOR Radio is never rendered useless by the discontinued production of that particular model, because the ASTOR policy ensures that a complete list of spare parts is stocked for every radio that leaves the factory. When ordering a replacement, from Radio Corporation Pty. Ltd., Grant Street, South Melbourne, give the model number or description of the set itself together with the part number and name of the part required.

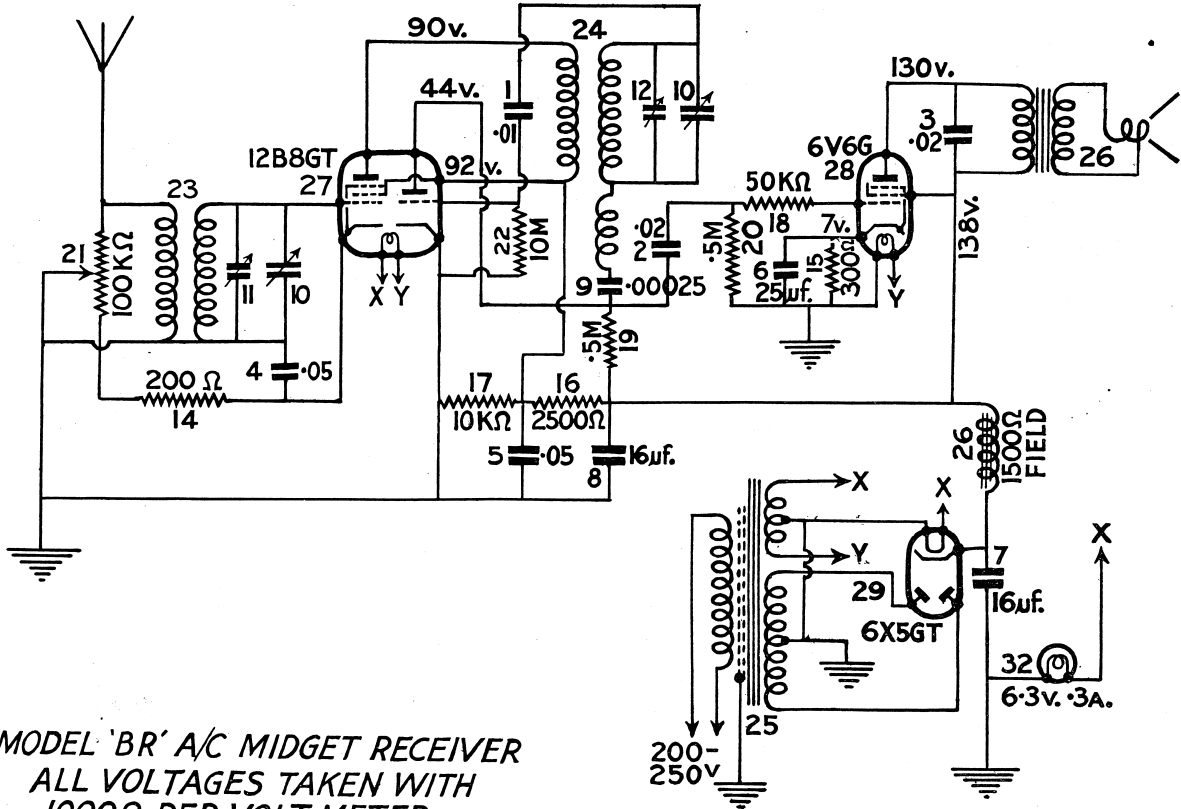
No.	Part Name	Rating	Tol.	Spec. No.	Part No.
1.	.01 ufd Paper Condenser ..	600V	20%		PC140
2.	.02 ufd Paper Condenser ..	400V	20%		PC111
3.	.02 ufd Paper Condenser ..	400V	20%		PC111
4.	.05 ufd Paper Condenser ..	200V	20%		PC102
5.	.05 ufd Paper Condenser ..	400V	20%		PC109
6.	25 ufd Electrolytic Cond. (ET718)	40PV	20%		PC269
7.	16 ufd Electrolytic Cond. (ET1048)	525PV	20%		PC298
8.	16 ufd Electrolytic Cond. (EEC973)	525PV	20%		PC300
9.	.00025 ufd Mica Condenser	1000V	10%		PC126
10.	2 Gang Condenser			864	PC253
11.	Ceramic Trimmer			847	PC224
12.	Ceramic Trimmer			847	PC224
13.					
14.	200 ohm Carbon Resistor ..	$\frac{1}{2}$ watt	10%		PR176
15.	300 ohm Carbon Resistor ..	$\frac{1}{2}$ watt	10%		PR258
16.	2500 ohm Carbon Resistor	1 watt	10%		PR132
17.	10,000 ohm Carbon Resistor	1 watt	10%		PR325
18.	50,000 ohm Carbon Resistor	$\frac{1}{2}$ watt	10%		PR160



MODEL B. R.



MODEL B. R.



MODEL 'BR' A/C MIDGET RECEIVER
 ALL VOLTAGES TAKEN WITH
 1000Ω PER VOLT METER -
 250 AND 10 VOLT SCALES

No.	Part Name	Rating	Tol.	Spec. No.	Part No.
19.	500,000 ohm Carbon Resistor	$\frac{1}{2}$ watt	10%		PR245
20.	500,000 ohm Carbon Resistor	$\frac{1}{2}$ watt	10%		PR245
21.	100,000 ohm Volume Control			1142	PR328
22.	10 Megohm Carbon Resistor	1 watt	10%		PR236
23.	Antenna Transformer.			947	PT228
24.	RF Transformer			948	PT229
25.	Power Transformer.			1145	PT291
26.	K5 Speaker 1500 ohm field 7000 ohm input			1146	PM487
27.	12B8GT Tube				PM367
28.	6V6G Tube.				PM383
29.	6X5GT Tube				PM484
30.	8 pin Sub-Midget Valve Sockets (3)				PM277
31.	Mains Cond.				
32.	Dial Lamp	6.3V .3A		834	PM140
33.	Antenna Lead				
34.	Earth Lead.				
35.	Contact Strip Assembly (2)				PM316
36.	Pilot Light Socket complete				PM234
38.	Chassis	A109	205		
39.	Dial Drive Shaft	1	207		
40.	Dial Drive Shaft Guide Brkt.	19	89		
41.	Grommet (Hard Rubber)	40	30C		
42.	Junction Strip (2 hole)	63	30A		
43.	Lower Mount Brkt. Transformer	17	205		
44.	Bracket (Speaker mounting)	33	205		
45.	Dial Light Cover	28	205		
46.	Dial Light Cover Plug	7	65		
47.	Condenser Dividing Plate	14	205		
48.	Spacer (trimmer)	8	218A-1		
49.	Dial Back	9	207-1		
50.	Dial Reading	24	205		
51.	Pointer Spindle	1	208		
52.	Dial Indicator	3	208		